

## Features

- Designed for high flow piloting with no minimum operating pressure required; e.g. power plants, refineries, chemical processing
- Balanced Poppet construction for high flow at minimum power levels
- PTFE rider rings and graphite-filled seals reduce friction and eliminate sticking to provide exceptional service life
- 316 Stainless Steel construction for highly corrosive atmospheres
- Available with manual reset  
*See Special Service Section*

## Construction

Valve Parts in Contact with Fluids		
Body	Brass	316 Stainless Steel
Core Tube	305 Stainless Steel	
Stem and Insert	303 Stainless Steel	
Core and Plugnut	430F Stainless Steel	
O-ring Holder	430F Stainless Steel	
Springs	302 Stainless Steel	
Seals and Discs	NBR	FKM
	VMQ (Low-Temperature Construction)	
Rider Ring	PTFE	

## Electrical

Standard Coil and Class of Insulation	Watt Rating and Power Consumption				Spare Coil Part Number			
	DC Watts	AC			General Purpose		Explosionproof	
		Watts	VA Holding	VA Inrush	AC	DC	AC	DC
F	11.6	12	12	12	276000	238710	276002	238714

Standard Voltages: 24/50-60, 120/50-60, 240/50-60, and 480/50-60, or 6, 12, 24, 120, and 240 DC.

## Solenoid Enclosures

### Standard:

**For Brass Valves:** Standard Solenoid enclosure is Types, 1, 2, 3, 3S, 4, and 4X.

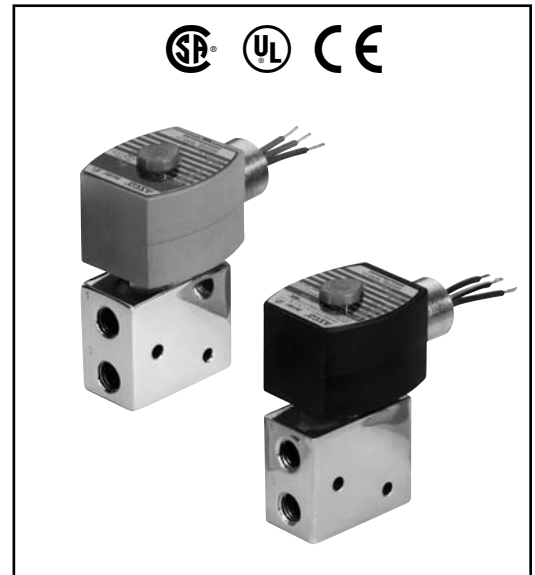
**For 316 Stainless Steel valves:** Standard Solenoid enclosure is Explosionproof and Watertight Types 3, 3S, 4, 4X, 6, and 6P.

**Optional:** Explosionproof and Watertight, Types 3, 3S, 4, 4X, 6, 6P, 7, and 9. (To order, add prefix "EF" or, for Explosionproof Stainless Steel trim and hub on Brass-Bodied valves, add "EV" to catalog number.)

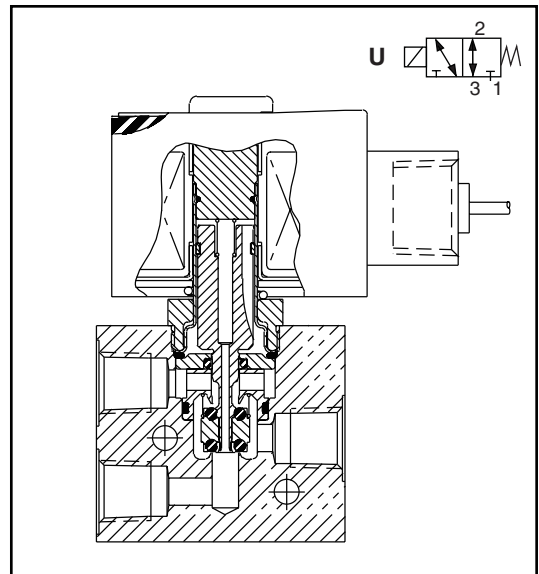
*See Optional Features Section for other available options.*

### SIL (Safety Integrity Level) Information:

- PFD (Probability of Failure on Demand)  $<4 \times 10^{-7}$  at a confidence factor of 95%.
- SFF (Safe Failure Fraction) according to IEC 61508-2 Table A1 is  $\geq 0.99$ .
- Only constructions without manual operators apply to the above criteria.



3-WAY



## Nominal Ambient Temp. Ranges

### 8327G041 and 042:

-4°F to 131°F (-20°C to 55°C)

### 8327G051 and 052:

-40°F to 131°F (-40°C to 55°C)

*Refer to Engineering Section for details.*

## Approvals

CSA certified. UL listed General Purpose Valves. Meets applicable CE directives.

*Refer to Engineering Section for details.*

## Specifications (English units)

Pipe Size (ins.)	Orifice Size (ins.)	Cv Flow Factor		Maximum Operating Pressure Differential (psi)			Max. Fluid Temp. °F	Brass Body		316 Stainless Steel Body		Watt Rating/ Class of Coil Insulation	
		Ports 1-2	Ports 2-3	Air-Inert Gas	Water	Light Oil @ 300 SSU		Catalog Number	Catalog Number	Const. Ref.	AC	DC	
<b>UNIVERSAL OPERATION (Pressure at any port)</b>													
1/4	1/4	.49	.56	150	150	150	176	8327G041	-	1	12.0/F	11.6/F	
1/4	1/4	.49	.56	150	150	150	248	-	EV8327G042	1	12.0/F	11.6/F	
<b>UNIVERSAL LOW-TEMPERATURE OPERATION (Pressure at any port)</b>													
1/4	1/4	.49	.56	150	-	-	131	8327G051	-	1	12.0/F	11.6/F	
1/4	1/4	.49	.56	150	-	-	131	-	EV8327G052	1	12.0/F	11.6/F	

## Specifications (Metric units)

Pipe Size (ins.)	Orifice Size (mm)	Kv Flow Factor (m3/h)		Maximum Operating Pressure Differential (bar)			Max. Fluid Temp. °C	Brass Body		316 Stainless Steel Body		Watt Rating/ Class of Coil Insulation	
		Ports 1-2	Ports 2-3	Air-Inert Gas	Water	Light Oil @ 300 SSU		Catalog Number	Catalog Number	Const. Ref.	AC	DC	
<b>UNIVERSAL OPERATION (Pressure at any port)</b>													
1/4	6	.42	.48	10	10	10	80	8327G041	-	1	12.0/F	11.6/F	
1/4	6	.42	.48	10	10	10	120	-	EV8327G042	1	12.0/F	11.6/F	
<b>UNIVERSAL LOW-TEMPERATURE OPERATION (Pressure at any port)</b>													
1/4	6	.42	.48	10	-	-	55	8327G051	-	1	12.0/F	11.6/F	
1/4	6	.42	.48	10	-	-	55	-	EV8327G052	1	12.0/F	11.6/F	

## Dimensions: inches (mm)

### FLOW DIAGRAMS

OPERATION	DE-ENERGIZED	ENERGIZED
NORMALLY CLOSED PRESSURE AT 3		
NORMALLY OPEN PRESSURE AT 1		
UNIVERSAL PRESSURE AT ANY PORT		

### Const. Ref. 1

**IMPORTANT: Valves may be mounted in any position.**